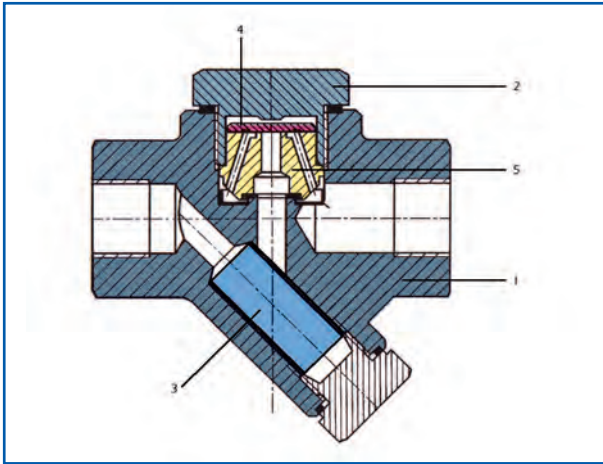


STEAM TRAPS

TDK 45



Materials

N.	PARTS	MATERIALS
1	BODY	FORGED STEEL
2	COVER	STAINLESS STEEL
3	STRAINER	STAINLESS STEEL
4	DISC	STAINLESS STEEL
5	SEAT	STAINLESS STEEL

Thermodynamic steam trap with embodied strainer. Maximum opposite pressure should not exceed 80% of front pressure. Discharge according to the amount of the condensate. All spare parts are available and it is easy to maintenance. Strainer is "Y" type which is under the body and easy to clean when necessary.

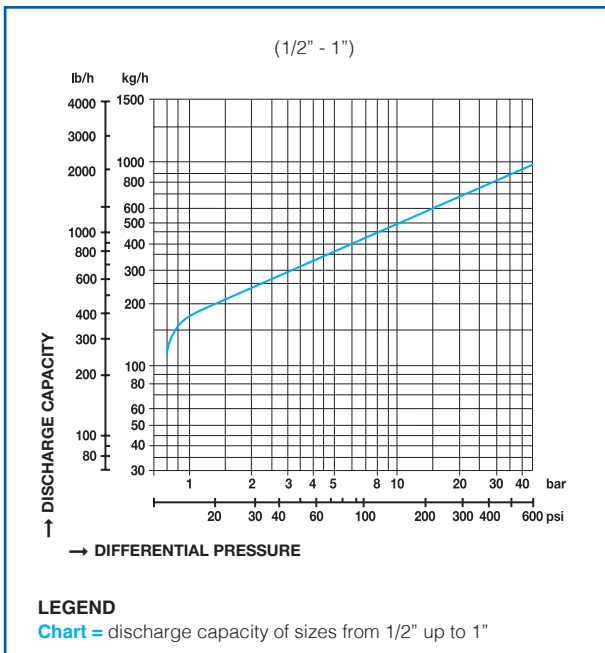
The steam trap should be fitted on the line horizontally for proper working.

OPERATING CONDITIONS	
MAX. ALLOWABLE PRESSURE PMA (bar)	45
MAX. ALLOWABLE PRESSURE TMA (°C)	450
MAX. OPERATING PRESSURE PMO (bar)	40
MAX. DIFFERENTIAL PRESSURE PMD (bar)	32
MAX. OPERATING PRESSURE TMO (°C)	400

CONNECTION	FLANGED			SCREWED			
	SIZES (mm)	15	20	25	1/2"	3/4"	1"
WEIGHT (kg.)	3.4	4.1	4.5	1.8	1.7	1.6	

CONNECTIONS		SIZES	
SCREWED	NPT acc. to ANSI B1 20.1 BSP acc. to BS 21	mm	inches
SOCKET WELD	ANSI B 16.11	15 - 25	1/2" - 1"
FLANGED	DIN 2533		

DISCHARGE CAPACITIES



DIMENSIONS (mm)								
SIZE	L - L1	H - H1 - H2	D	b	k	g	i	no. Holes
15	150 - 95	40 - 100 - 42	95	16	65	45	14	4
20	150 - 95	40 - 100 - 42	105	18	75	58	14	4
25	160 - 95	40 - 100 - 42	115	18	85	68	14	4

