

SOFT SEALED GATE VALVES

SCG-44



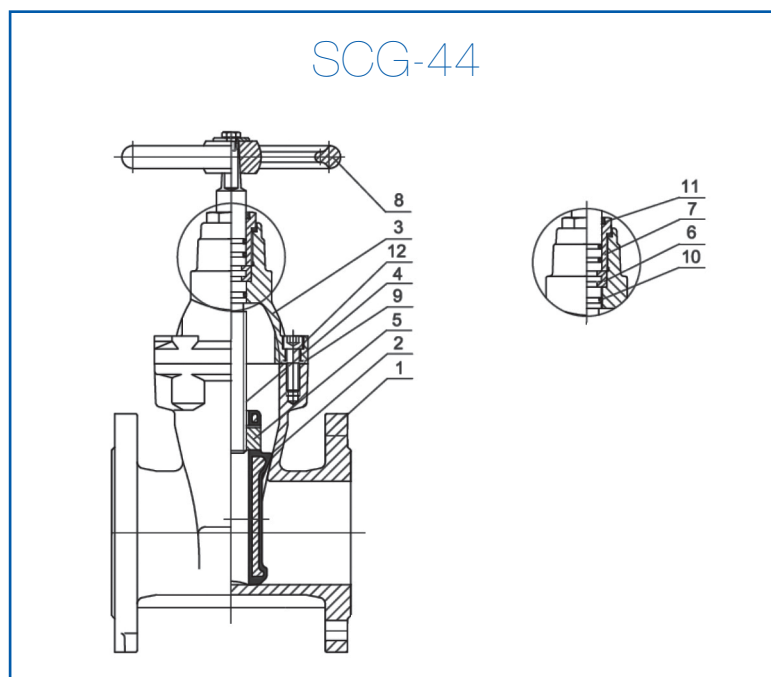
F4 soft sealed gate valves, full bore and low pressure drop.

Valves are maintenance free and could be installed in every position.

Suitable for drinkable water, conditioning and heating plants.

Available types

- NBR wedge
- EPDM wedge



N°	PARTS	MATERIALS	SPECIFICATION	DETAIL
1	BODY	DUCTILE IRON	GGG 50	
2	WEDGE	DUCTILE IRON + NBR/EPDM	GGG 50	Working temperature (*) 0°C / +90°C (EPDM) 0°C / +80°C (NBR)
3	BONNET	DUCTILE IRON		
4	STEM	STAINLESS STEEL	13% Cr	
5	STEM NUT	BRASS		
6	HOLDING RING	BRASS		
7	SEALING RING	BRASS		
8	HANDWHELL	DUCTILE IRON	GGG 50	
9	BONNET GASKET	NBR /EPDM		
10	O-RING	NBR		
11	DUST RING	NBR		
12	BONNET BOLTS	STAINLESS STEEL		

(*) Working temperature must always be related to working pressure and chemical composition of fluid

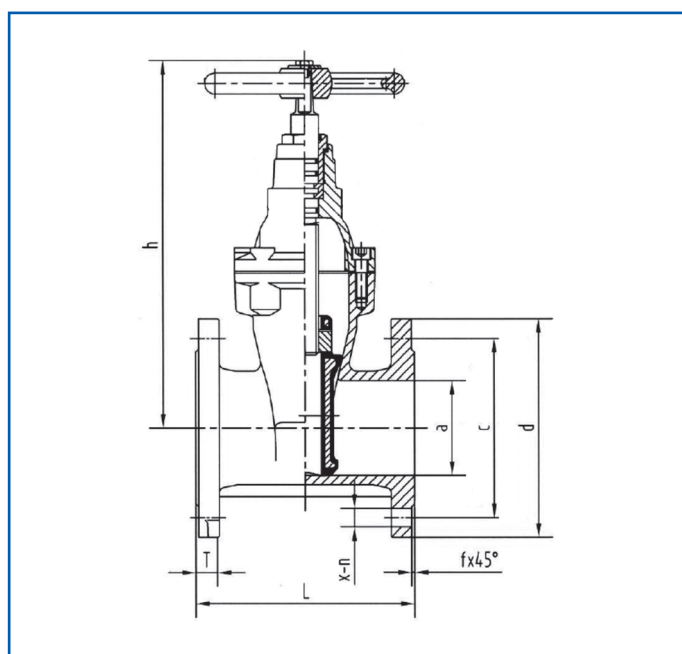
SOFT SEALED GATE VALVES

SCG-44

Technical details

- Fully epoxy painted body
- Face to face according to DIN 3202 F4
- Flange connections according to EN 1092
- Standard valves are available with ductile iron handwheel
- On request available with cap nut or extension for insulation
- Maximum working pressure 16 bar
- Hydraulic pressure test according to UNI EN 12266-1:

DIMENSIONS



DIMENSIONS SCG-44 (mm)

SIZE	a	c	d	h	T	L	x-n	f x 45°	Weight kg
DN 40	40	100	150	185	19	140	4-19	3	10
DN 50	50	125	165	205	19	150	4-19	3	11
DN 65	65	145	185	225	19	170	4-19	3	14
DN 80	80	160	200	255	19	180	8-19	3	17
DN 100	100	180	220	285	19	190	8-19	3	23
DN 125	125	210	250	345	19	200	8-19	3	30
DN 150	150	240	285	385	19	210	8-23	3	40
DN 200	200	295	340	465	20	230	12-23	3	60
DN 250	250	355	405	565	22	250	12-23	3	90
DN 300	300	410	460	645	24,5	270	12-23	4	130

SOFT SEALED GATE VALVES

SCG-44

SUGGESTED BOLTS FOR UNI PN 10/16 FLANGES

SIZE	PN 10 FLANGES		PN 16 FLANGES	
	Quantity	BOLTS	Quantity	BOLTS
DN 40	4	M16 x 55	4	M16 x 55
DN 50	4	M16 x 60	4	M16 x 60
DN 65	4	M16 x 60	4	M16 x 60
DN 80	4	M16 x 65	8	M16 x 65
DN 100	8	M16 x 65	8	M16 x 65
DN 125	8	M16 x 70	8	M16 x 70
DN 150	8	M20 x 70	8	M20 x 70
DN 200	8	M20 x 80	12	M20 x 80
DN 250	12	M20 x 80	12	M24 x 80
DN 300	12	M22 x 90	12	M24 x 90