

# SOFT SEALED GATE VALVES

## SCG-55



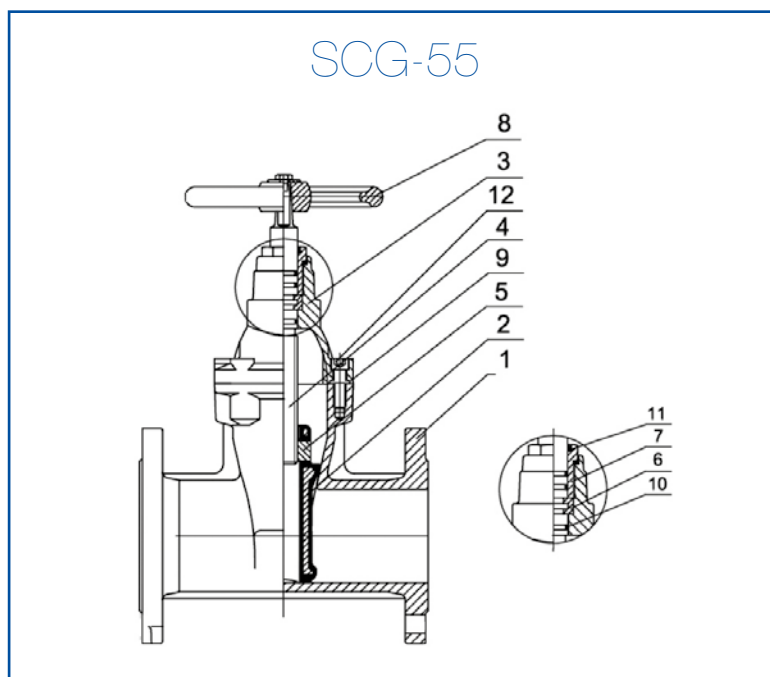
**F5 soft sealed gate valves**, full bore and low pressure drop.

Valves are maintenance free and could be installed in every position.

Suitable for drinkable water, conditioning and heating plants.

### Available types

- NBR wedge
- EPDM wedge



N°	PARTS	MATERIALS	SPECIFICATION	DETAIL
1	BODY	DUCTILE IRON	GGG 50	
2	WEDGE	DUCTILE IRON + NBR/EPDM	GGG 50	Working temperature (*) 0°C / +90°C (EPDM) 0°C / +80°C (NBR)
3	BONNET	DUCTILE IRON		
4	STEM	STAINLESS STEEL	13% Cr	
5	STEM NUT	BRASS		
6	HOLDING RING	BRASS		
7	SEALING RING	BRASS		
8	HANDWHEEL	DUCTILE IRON	GGG 50	
9	BONNET GASKET	NBR/EPDM		
10	O-RING	NBR		
11	DUST RING	NBR		
12	BONNET BOLTS	STAINLESS STEEL		

(\*) Working temperature must always be related to working pressure and chemical composition of fluid

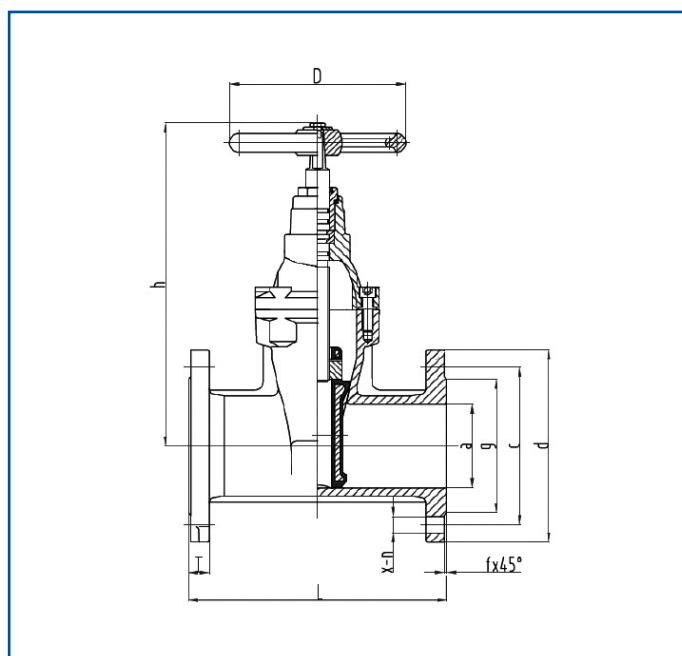
# SOFT SEALED GATE VALVES

## SCG-55

### Technical details

- Fully epoxy painted body
- Face to face according to DIN 3202 F5
- Flange connections according to EN 1092
- Standard valves are available with ductile iron handwheel
- On request available with cap nut or extension for insulation
- Maximum working pressure 16 bar
- Hydraulic pressure test according to UNI EN 12266-1:

### DIMENSIONS



DIMENSIONS SCG-55 (mm)

SIZE	a	c		d		h	D	T	g	L	x-n		f x 45°	Weight kg
DN 40	40	110		150		265	180	19	84	240	4-19		3	13
DN 50	50	125		165		275	180	19	99	250	4-19		3	15
DN 65	65	145		185		280	180	19	118	270	4-19		3	16
DN 80	80	160		200		315	205	19	132	280	8-19		3	23
DN 100	100	180		220		360	240	19	156	300	8-19		3	29
DN 125	125	210		250		400	240	19	184	325	8-19		3	44
DN 150	150	240		285		445	280	19	211	350	8-23		3	54
DN 200	200	295		340		545	320	20	266	400	8-23	12-23	3	95
DN 250	250	395	405	350	355	640	360	22	319	450	12-23	12-28	3	153
DN 300	300	445	460	400	410	740	450	24,5	370	500	12-23	12-28	4	241

## SUGGESTED BOLTS FOR UNI PN 10/16 FLANGES

SIZE	PN 10 FLANGES		PN 16 FLANGES	
	Quantity	BOLTS	Quantity	BOLTS
DN 40	4	M16 x 55	4	M16 x 55
DN 50	4	M16 x 60	4	M16 x 60
DN 65	4	M16 x 60	4	M16 x 60
DN 80	4	M16 x 65	8	M16 x 65
DN 100	8	M16 x 65	8	M16 x 65
DN 125	8	M16 x 70	8	M16 x 70
DN 150	8	M20 x 70	8	M20 x 70
DN 200	8	M20 x 80	12	M20 x 80
DN 250	12	M20 x 80	12	M24 x 80
DN 300	12	M22 x 90	12	M24 x 90