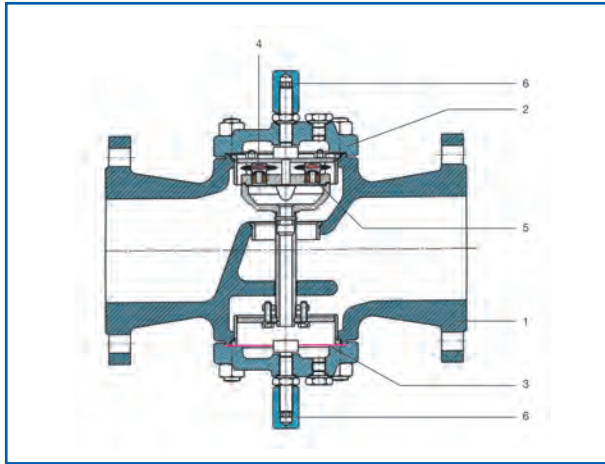


STEAM TRAPS

HK 23



Materials

N.	PARTS	MATERIALS
1	BODY	DUCTILE IRON
2	COVER	DUCTILE IRON
3	COVER GASKET	STAINLESS STEEL
4	THERMOSTATIC CAPSULE	STAINLESS STEEL
5	AIR VENT SEAT	STAINLESS STEEL AISI 304
6	ADJUSTING SCREW	STAINLESS STEEL AISI 304

HK 23 is the thermostatic pilot control for high capacities which is specially designed for sugar factories. Corrosion resistant capsules can not be damaged by waterhammer. With external adjusting device for limiting the main valve lift or ensure a minimum condensate flow rate. Traps in size of 50 mm. (2") with 3 thermostatic membrane capsules.

When the condensate amount exceeds the discharge capacity of thermostatic capsules, the conic type valve operates automatically and discharges the condensate from the system.

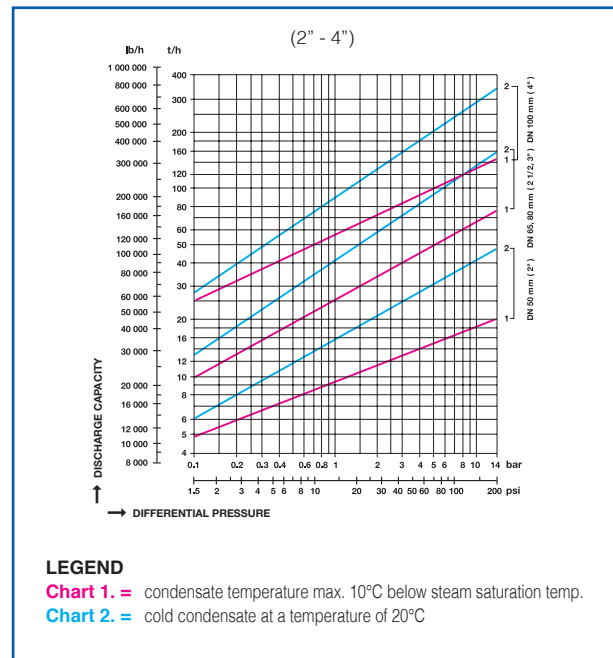
The screw on the body of trap adjusts the movement distance of the conic valve the effects the discharge capacity of the trap. The steam trap should be fitted on the line horizontally for proper working.

OPERATING CONDITIONS	
MAX. ALLOWABLE PRESSURE PMA (bar)	25
MAX. ALLOWABLE TEMP. TMA (°C)	300
MAX. OPERATING PRESSURE PMO (bar)	21
MAX. DIFFERENTIAL PRESSURE PMD (bar)	14
MAX. OPERATING TEMP. TMO (°C)	250

WEIGHTS				
CONNECTIONS	FLANGED			
SIZES (mm)	50	65	80	100
WEIGHTS (kg.)	17	28	31	56

CONNECTIONS		SIZES	
FLANGED	DIN 2533	mm	inches
		50 - 100	2" - 4"

DISCHARGE CAPACITIES



DIMENSIONS (mm)								
SIZE	H - H1 - H2	L	D	b	k	g	i	No HOLES
50	180 - 170 - 350	230	165	20	125	102	18	4
60	108 - 170 - 350	290	185	22	145	122	18	8
80	180 - 170 - 350	310	200	24	160	138	18	8
100	180 - 188 - 368	350	235	24	190	162	23	8

