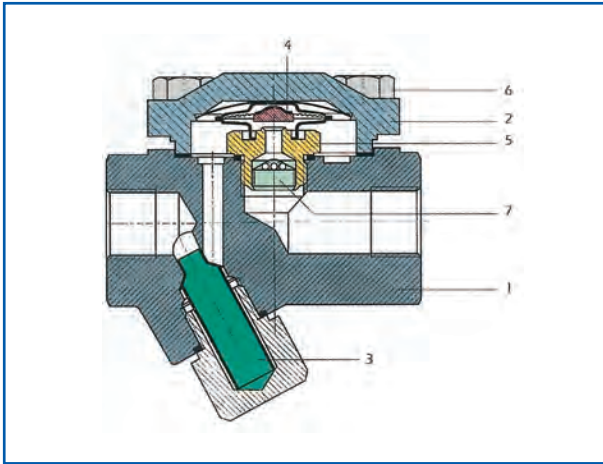


STEAM TRAPS

TKK 2Y



Materials

N.	PARTS	MATERIALS
1	BODY	FORGED STEEL
2	COVER	FORGED STEEL
3	STRAINER	STAINLESS STEEL
4	THERMOSTATIC CAPSULE	HASTELLOY & STAINLESS STEEL
5	SEAT	STAINLESS STEEL AISI 304
6	COVER BOLTS	ASTM A193 B16
7	NON-RETURN VALVE	MS56

Thermostatic steam trap with membrane capsule regulator resists against corrosion and unaffected by waterhammer. Only difference of TKK 2Y type thermostatic steam traps is the "Y" type strainer. These thermostatic steam traps can work in any installation position and include standard type "S" membrane capsule.

The stainless steel balls inside the specially designed seat act as non return valve.

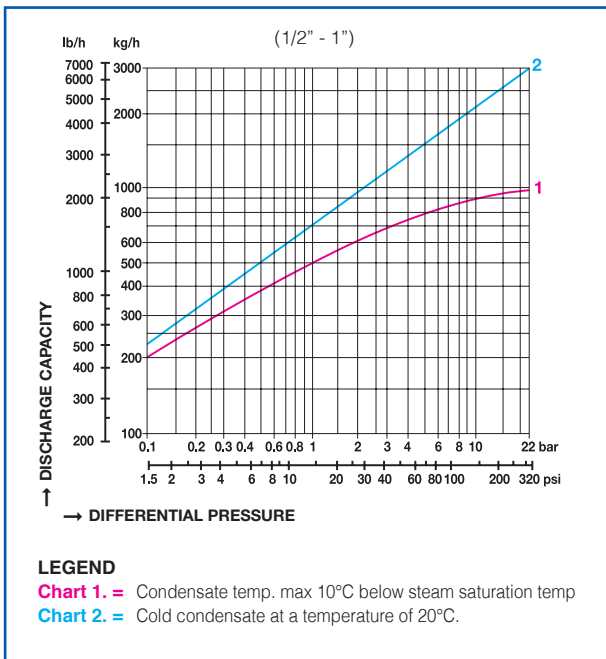
The steam trap can be fitted on the line in every position and work properly.

OPERATING CONDITIONS	
MAX. ALLOWABLE PRESSURE PMA (bar)	40
MAX. ALLOWABLE TEMP. TMA (°C)	400
MAX. OPERATING PRESSURE PMO (bar)	32
MAX. DIFFERENTIAL PRESSURE PMD (bar)	22
MAX. OPERATING TEMP. TMO (°C)	250

CONNECTIONS	WEIGHTS					
	FLANGED		SCREWED			
SIZES (mm)	15	20	25	1/2"	3/4"	1"
WEIGHT (kg.)	3.4	4.1	4.5	1.8	1.7	1.6

CONNECTIONS		SIZES	
SCREWED	NPT acc. to ANSI B1 20.1 BSP acc. to BS 21	mm	inches
SOCKET WELD	ANSI B 16.11	15 - 25	1/2" - 1"
FLANGED	DIN 2635 (PN 40)		

DISCHARGE CAPACITIES



SIZE	DIMENSIONS (mm)							
	L - L1	H - H1 - H2	D	b	k	g	i	no. Holes
15	150 - 95	45 - 97 - 40	95	16	65	45	14	4
20	150 - 95	45 - 97 - 40	105	18	75	58	14	4
25	160 - 95	45 - 97 - 40	115	18	85	68	14	4

