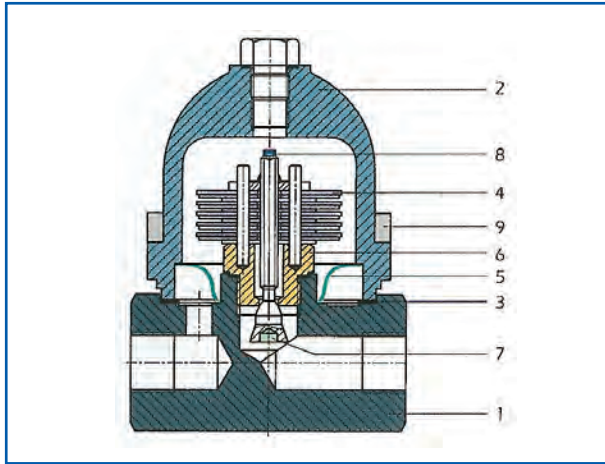


THERMOSTATIC STEAM

TK 1



Materials

N.	PARTS	MATERIALS
1	BODY	FORGED STEEL
2	COVER	FORGED STEEL
3	COVER GASKET	KLINGERIT ASBESTOS FREE
4	BI-METALIC PLATES	STAINLESS STEEL
5	STRAINER	STAINLESS STEEL
6	SEAT	STAINLESS STEEL AISI 304
7	VALVE	STAINLESS STEEL AISI 304
8	ADJUSTMENT SCREW	STAINLESS STEEL AISI 304
9	COVER BOLTS	ASTM A193 B16

Thermostatic/thermodynamic steam traps with corrosion resistant regulator, uneffected by waterhammer. Integral strainer and non-return valve action. Automatic deaeration. Installation in any position. Working at high pressure. Bi-metal thermostatic plates can be adjust by adjustment screw.

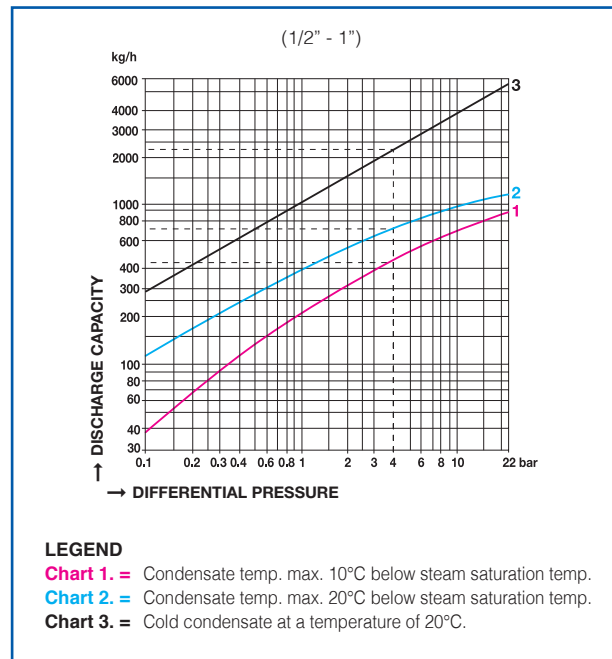
By adjusting it is possible to increase and decrease the discharge capacity and the temperature of condensate. Ideal steam trap for super heated steam line applications. The steam trap should be fitted on the line in every position but best application is horizontal installation.

OPERATING CONDITIONS	
MAX. ALLOWABLE PRESSURE PMA (bar)	40
MAX. ALLOWABLE TEMP. TMA (°C)	400
MAX. OPERATING PRESSURE PMO (bar)	32
MAX. DIFFERENTIAL PRESSURE PMD (bar)	22
MAX. OPERATING TEMP. TMO (°C)	250

CONNECTIONS	WEIGHTS			SCREWED		
	FLANGED			SCREWED		
SIZES (mm)	15	20	25	1/2"	3/4"	1"
WEIGHTS (kg)	4.3	4.6	5.3	2.4	2.4	2.3

CONNECTIONS		SIZES	
SCREWED	NPT acc. to ANSI B1 20.1 BSP acc. to BS 21	mm	inches
SOCKET WELD	ANSI B 16.11	15 - 25	1/2" - 1"
FLANGED	DIN 2635 (PN 40)		

DISCHARGE CAPACITIES



DIMENSIONS (mm)							
SIZE	L - L1 - L2	H - H1	D	b	k	g	i
15	95 - 150 - 82	102 - 41	95	16	65	45	14
20	95 - 150 - 82	102 - 41	105	18	75	58	14
25	95 - 160 - 82	102 - 41	115	18	85	68	14

