

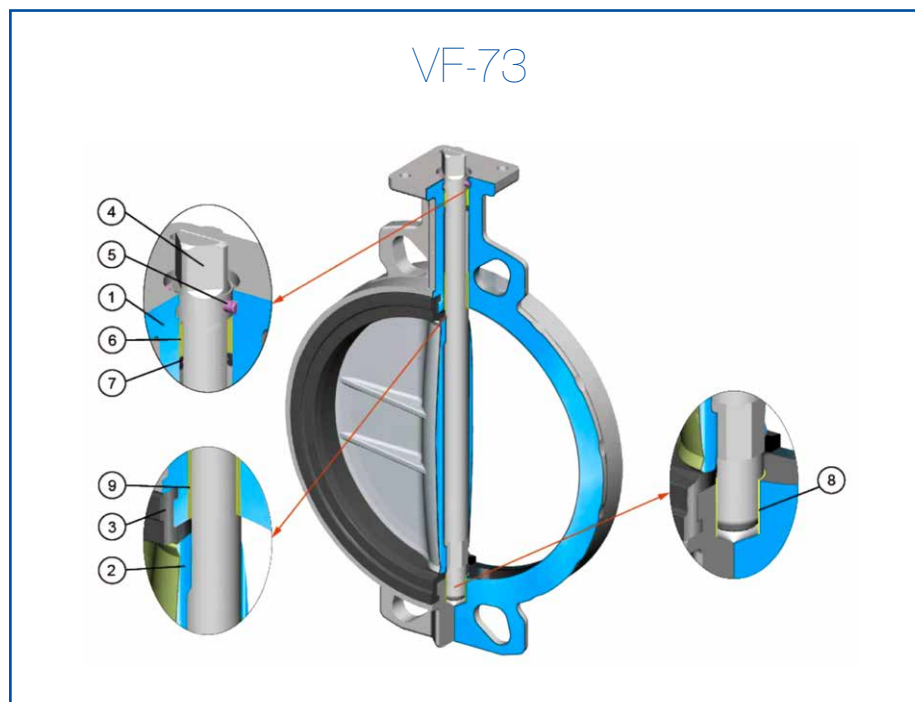
# BUTTERFLY VALVES

VF-733B



**Lug butterfly valves of VF-73 series**, used for Methane gas plant up to 5 bar, NBR seated, yellow lever or gear with yellow handwheel operated.

**AT.EX. Certified for zone 1 and 21**



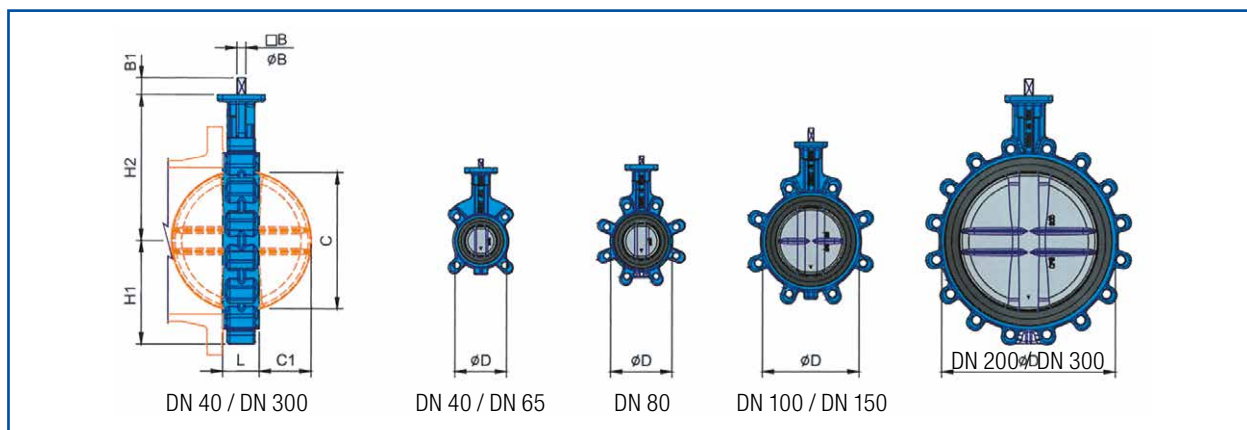
N°	PARTS	MATERIALS	SPECIFICATION	DETAIL
1	BODY	DUCTILE IRON CARBON STEEL	ASTM A536-65-45-12	
2	DISC	DUCTILE IRON STAINLESS STEEL	ASTM A216 WCB	
3	SEAT	NBR	ASTM A536-65-45-12	Nylon 11 coated
4	SHAFT	STEEL	AST A351 CF8	
5	PIN	STAINLESS STEEL		Working temperature -10°C / +80°C (*)
6	BUSH	DELTRIN	ASTM A182 F6A	
7	O-RING	NBR	AISI 304	
8	BUSH	BRONZE		
9	BUSH	PTFE		

(\*) Working temperature must always be related to working pressure and chemical composition of fluid

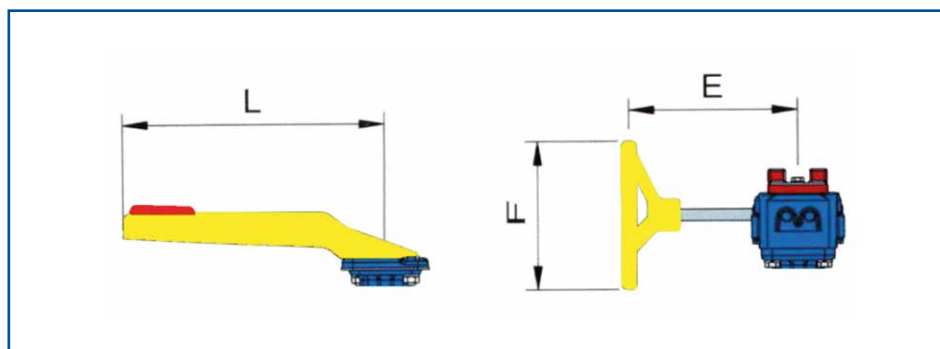
### TECHNICAL DETAILS

- Epoxy coated ductile iron body or carbon steel body
- Face to face according to ISO 5752
- Nylon 11 coated ductile iron disc or stainless steel disc
- NBR seated
- Steel shaft
- Yellow lever operated or gear with yellow handwheel operated
- Upper flange according to ISO 5211
- Suitable for PN 10/16 and ANSI 150 flanges
- Rating PN 16
- Working pressure at 5 bar for Methane gas application
- Hydraulic tests according to ISO 5208
  - Body tested at 24 bar
  - Seat tested at 18 bar
- Pneumatic seat test according to ISO 5208
  - Seat tested at 6 bar
- Valve design according to italian UNI-TR 11354 "Shut off valves for gas supply networks"
- Working temperature: -10°C / + 80°C

### DIMENSIONS



DIMENSIONS (mm)												
SIZE	FACE TO FACE				UPPER FLANGE		SHAFT END			DISC CLEARANCE		Weight
DN	L	H1	H2	D	Type	PCD	øB	B	B1	C	C1	kg
40	33	60	120	81	F07	70	14	11	19	34	7	3
50	43	65	143	96	F07	70	14	11	19	39	8	4
65	46	71	155	110	F07	70	14	11	19	55	13	4
80	46	77	162	124	F07	70	14	11	19	69	19	5
100	52	89	181	148	F07	70	14	11	19	91	27	8
125	56	112	197	180	F07	70	18	14	19	115	36	10
150	56	123	210	206	F07	70	18	14	19	140	47	11
200	60	150	240	259	F10	102	22	17	24	186	68	18
250	68	179	286	320	F10	102	25	19	24	239	90	27
300	78	216	309	370	F10	102	28	22	24	289	111	44



### DIMENSIONS (mm)

DN	L	E	F
40	200	155	150
50	200	155	150
65	200	155	150
80	200	155	150
100	200	155	150
125	250	155	150
150	250	155	150
200	355	195	200
250	355	195	200
300	355	195	200

### TORQUE

SIZE	TORQUE Nm			
	LUBRICATING		DRY	
	PN3	PN6	PN3	PN6
DN 40	15	17	19	21
DN 50	15	17	19	21
DN 65	18	20	22	24
DN 80	28	31	34	38
DN 100	37	41	45	50
DN 125	61	68	76	84
DN 150	116	127	126	138
DN 200	171	190	211	234
DN 250	275	306	340	378
DN 300	381	423	470	522

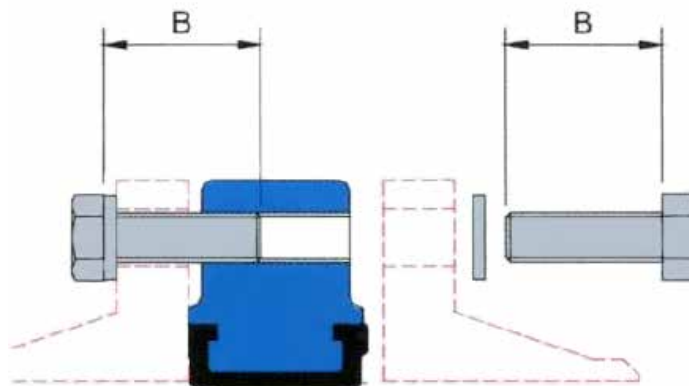
Including 30% safety factor  
To calculate the correct coupling with actuators please contact our technical department

### KV VALUES

DN	Disc angle open degrees								
	10°	20°	30°	40°	50°	60°	70°	80°	90°
40	0,7	2,4	6,9	14,2	22	36	59	81	113
50	1,1	3,8	10,2	22	38	60	100	132	193
65	2	7,5	18,2	35	61	95	187	240	315
80	2,5	9,8	26	48	83	126	214	338	425
100	3,8	14,6	39	72	119	221	361	606	723
125	6,5	24	62	118	217	394	599	1038	1243
150	10	41	95	175	326	542	873	1260	1859
200	19	64	165	306	573	995	1567	2310	3124
250	28	101	245	451	836	1462	2253	3256	4757
300	34	129	312	615	1137	2125	3248	4991	7058

**Kv** = m<sup>3</sup>/h at pressure of 1 kg/cm<sup>2</sup> with water at 20°C  
**Kv = CV/1,17** **CV** = U.S. gallon/min at pressure of 1 psi with water at 20°C

### SUGGESTED BOLTS FOR UNI PN 10/16 AND ANSI 150 FLANGES



SIZE	PN 10		PN 16		ANSI 150	
	Quantity	BOLTS (B)	Quantity	BOLTS (B)	Quantity	BOLTS (B)
DN 40	8	M16 x 35	8	M16 x 35	8	1/2" x 35
DN 50	8	M16 x 40	8	M16 x 40	8	5/8" x 40
DN 65	8	M16 x 45	8	M16 x 45	8	5/8" x 45
DN 80	16	M16 x 45	16	M16 x 45	16	5/8" x 45
DN 100	16	M16 x 50	16	M16 x 50	16	5/8" x 50
DN 125	16	M16 x 50	16	M16 x 50	16	3/4" x 55
DN 150	16	M20 x 55	16	M20 x 55	16	3/4" x 55
DN 200	16	M20 x 55	16	M20 x 55	16	3/4" x 60
DN 250	24	M20 x 60	24	M24 x 60	24	7/8" x 65
DN 300	24	M20 x 60	24	M24 x 70	24	7/8" x 70



**Electrical or pneumatic actuators**, positioners, limit switches, solenoid valves and other equipments. Assembled on VALSAR butterfly valves.